

## Troubleshooting

### Tunelight will not power on (AC Operation)

- ✓ Make sure the AC adaptor is securely connected to the **AC 12V In Socket** and plugged into a wall outlet.
- ✓ If the power supply is plugged into a surge protector, make sure the surge protector is switched on.
- ✓ Plug another device into the same wall outlet to confirm that the outlet is working.

### No lighting from halogen lamp

- ✓ Make sure the power is turned on and press the **Lamp Power Button**
- ✓ If it's still not lighting, try replacing the **JC TYPE G4 20W** halogen bulb with a new one.

### No sound from speakers

- ✓ Make sure the speaker power is turned on.
- ✓ Make sure that the MP3 player's volume is turned up fully, and that the line-in cable is securely connected to the player's headphone jack. If there is still no sound, repeat this step using another MP3 player (or any audio player with a headphone jack) to verify that there is no problem with the audio source.
- ✓ The TuneLight's volume may be set too low. Turn the volume up using the Volume + button.

### **Customer Service:**

For further assistance with your product, call Innovative Technology at 516-883-8220

### **Innovative Technology Electronics Corp.**

#### **Limited Warranty 90 Days Labor, One Year Parts**

Innovative Technology Electronics Corp. (IT) warrants the product to be free from "Defects" in materials under normal use for a period of "One Year" from the date of the original purchase. The Warranty is "Not" transferable. IT agrees, that within the initial "90 Day" period to repair the product if it is determined to be defective at "No Charge". It is further agreed that IT will cover the cost to repair or replace damaged "Parts" only for a total period of "One Year" from the date of the original purchase. The warranty does not cover cosmetic damage, antennas, AC cords, cabinets, headbands, ear-pads, or damage due to line power surges, connection to improper voltage supply or settings, misuse, mishandling, accident, acts of God or attempted repair by an unauthorized service agent.

To obtain service please contact IT for Merchandise Return Authorization (MRA) number by sending a self addressed stamped envelope to the address below. The original purchaser **MUST** present a sales receipt / proof of purchase indicating date of purchase, amount paid, and place of purchase. Send the unit prepaid to the address below in the original packaging or reasonable substitute to prevent damage. You "Must" include your full name, shipping address and telephone number and Merchandise Return Authorization (MRA) number for our reference. No return will be shipped back to a PO Box. Please include your check or money order in the amount of \$12.00, payable to Innovative Technology Electronics Corp., to cover handling and return shipping charges. IT will not be responsible for delays or unprocessed claims resulting from a purchaser's failure to provide any or all of the necessary information.

### **Send all inquires or returns to:**

Customer Service Dept.  
Innovative Technology Electronics Corp  
4 Anchor Way, Port Washington, NY 11050  
TOLL FREE# 1-877-ITECH-97 (1-877-483-2497)

*There are no express warranties except as listed above.*

REPAIR OR REPLACEMENT AS PROVIDED UNDER THIS WARRANTY IS THE EXCLUSIVE REMEDY OF THE CUSTOMER, IT SHALL NOT BE LIABLE FOR ANY INCIDENTAL OR CONSEQUENTIAL DAMAGES FOR BREACH OF ANY EXPRESS OR IMPLIED WARRANTY ON THIS PRODUCT EXCEPT TO THE EXTENT PROHIBITED BY APPLICABLE LAW. ANY IMPLIED WARRANTY OF MERCHANTABILITY OR FITNESS FOR A PARTICULAR PURPOSE ON THIS PRODUCT IS LIMITED IN DURATION TO THE DURATION OF THIS WARRANTY.

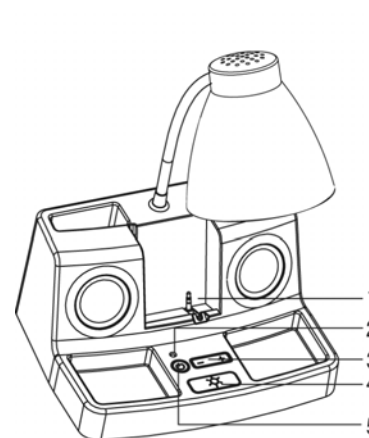
*Some states do not allow the exclusion or limitation of incidental or consequential damages, or limitations on how long an implied warranty lasts, so the above exclusions or limitations may not apply to you. This warranty gives you specific legal rights and you may also have other rights, which vary from state to state.*



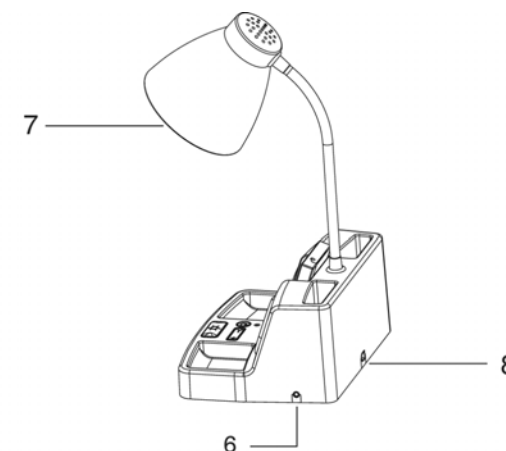
Model: ITL-745

# MP3 Speaker System TuneLight User Manual

## Product Overview



1. 3.5mm Headphone Plug
2. Speaker Power LED
3. Volume +/- Buttons
4. Lamp Power Button
5. Speaker Power Button



6. Aux in Cable Socket
7. Halogen Bulb Housing
8. AC 12V In Socket

## Important Safety Instructions



**CAUTION:** To reduce the risk of fire or electric shock, do not expose this appliance to rain or moisture.

**WARNING:** To prevent electric shock, do not use this (polarized) plug with an extension cord, receptacle, or other outlet unless the blades can be fully inserted to prevent blade exposure

**WARNING:** Halogen bulbs operate at very high temperatures. Keep hands away from the bulb area whenever the lamp is plugged in, and always allow sufficient cooling time when replacing the bulb.

1. Read these instructions.
2. Keep these instructions
3. Heed all warnings
4. Follow all instructions
5. Do not touch the halogen bulb or the glass cover while the lamp is plugged in.
6. Always unplug the lamp before removing/replacing the bulb.
7. Never attempt to replace or discard a bulb that is got to the touch.
8. Never use a bulb of a different style or higher wattage than the manufacturer's recommendation.
9. Never operate the lamp if there are any missing or damaged components.
10. Avoid leaving halogen lamp on when not in the room.
11. Avoid placing lamp in location where it may be tipped over by children, pets, etc.
12. Never use in children's bedrooms, playrooms, or other locations where combustibles, such as stuffed toys or clothing may be placed too close to the bulb area
13. Keep lamp away from elevated beds such as bunk beds, where bedding may become too close to the bulb area.
14. Do not use this apparatus near water. This apparatus shall not be exposed to dripping or splashing, and no objects filled with liquids, such as vases, shall be placed on the apparatus.
15. Do not expose to strong chemical agents. Clean only with a dry cloth.
16. Do not block any ventilation openings. Install in accordance with the manufacturer's instructions. The apparatus should not be situated on a bed, sofa, rug or similar surface that may block the ventilation openings. The apparatus must not be placed in a built-in installation, such as a closed bookcase or cabinet that may impede the flow of air through the ventilation openings. Ventilation should not be impeded by covering the openings with items such as newspapers, tablecloths, curtains, etc.
17. Do not install near any heat sources such as radiators, heat registers, stoves, or other apparatus (including amplifiers) that product heat. Extended exposure to temperatures higher that 150 degrees Fahrenheit, for example inside a closed vehicle during the summer, may result in damage to your product.
18. No open flame sources, such as lighted candles, should be placed on the apparatus.
19. Do not defeat the safety purpose of the polarized or grounding-type plug. A polarized plug has two blades with one wider than the other. A grounding type plug has two blades and a third grounding prong. The wide blade or the third prong are provided for your safety. If the provided plug does not fit into your outlet, consult an electrician for the replacement of the obsolete outlet.
20. Protect the power cord from being walked on or pinched – particularly at plugs, convenience receptacles, and the point where they exit from the apparatus.
21. Do not install in an area which impedes the access to the power plug. Disconnecting the power plug is the only way to completely remove power to the product and must be readily accessible at all times.
22. Power source – Use only power supplies of the type specified in the operating instructions or as marked on the appliance. If a separate power supply is included with this apparatus, do not substitute with any other power supply – use only manufacturer-provided power supplies.
23. Unplug this apparatus during lightning storms or when unused for long periods of time.
24. Refer all servicing to qualified service personnel. Servicing is required when the apparatus has been damages in any way: the power-supply cord or plug is damages, liquid has been spilled or objects have fallen into the apparatus, the apparatus has been exposed to rain or moisture, does not operate normally, or has been dropped

## Operating Instructions

### Connecting the Power Supply

Connect AC Adaptor to the back of the Lamp, then plug into a wall power outlet.

### Button Functions

 **Lamp Power Button** Press to turn the lamp on/off

 **Speaker Power Button** Press to turn the speakers on/off.

*When the speakers are turned on, the speaker power indicator LED above the button will light up.*

**- / + Volume +/-** Press to increase/decrease the volume level

*When the speakers are turned on, they will automatically reset to a minimum-level volume setting*

### Playing Your Music

*The MP3 Speaker System TuneLight connects to your MP3 Player or other external audio device through the device's headphone jack.*

There are two methods of connection. The **3.5mm Headphone Plug** plugs into MP3 players with a bottom-right positioned headphone jack. The **Aux in Cable Socket** accepts an Aux in Cable that connects to any audio device with a headphone jack (including MP3 Players, CD Players, Notebook Computers, etc.)

1. Connect the Tunelight to the headphone jack of your MP3 player or other audio device.

2. Turn on the MP3 player and start playing.

**Important:** *Ensure that the volume of your MP3 Player is set to its maximum level. If the MP3 player's volume is set too low, the TuneLight will not output any sound.*

3. Adjust the volume to the desired level using the **Volume +/- Buttons**.

### Adjusting the Lampshade

Only handle the top of the lampshade or the gooseneck when adjusting the lampshade.

Keep your hands away from the bulb area when the lamp is connected to a power outlet.

### Replacing the Halogen Bulb (JC TYPE G4 20W)

1. Disconnect the AC Adaptor from the wall outlet.

2. Allow sufficient time for the halogen bulb and surrounding elements to cool down before handling.

3. Using a screwdriver, carefully remove the screws from the glass protective cover. Set the cover aside.

4. Gently pull the halogen bulb out of its socket.

5. Replace the discarded bulb with a new **JC TYPE G4 20W** halogen bulb.

6. Replace the glass cover and tighten the screws to hold it in place.

**Important:** *The glass cover is an important safety feature. Do NOT turn the lamp on without it!*

### Specifications

HALOGEN BULB: MAXIMUM 1X **JC TYPE G4 20W** (INCLUDED)

#### SPEAKERS

200Hz~12KHz FREQUENCY RESPONSE

NEODYMINUM MAGNETS FOR ENHANCED AUDIO PERFORMANCE

2 WATTS MAXIMUM POWER (1 WATTS X 2)