

QUICK START GUIDE

OUTDOOR BLUETOOTH® ROCK SPEAKERS

Model: ITSBO-358P

TURNING THE SPEAKERS ON:

1. Before using, charge both Speakers with the included Micro USB Cable & Power Adaptor. Each Speaker will take approximately 4 hours to charge from 0-100%. The Red LED will turn Blue once charging is complete.
2. Turn both Speakers ON (press and hold the Power Button for 3 seconds).
3. On one speaker, quickly press the Power Button once. On the second speaker, quickly press the Power Button twice.
4. **VERY IMPORTANT:** Now the Speakers will Automatically Pair together. *Please allow 5-10 Seconds for the Speakers to pair.*
5. An audible beep will play, signifying the Speakers are now synced.

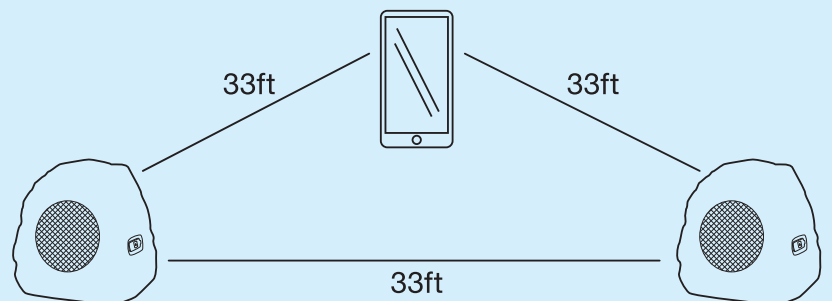
CONNECTING VIA BLUETOOTH:

1. After the Speakers are paired, they will automatically search for a Bluetooth device.
2. Activate the Bluetooth function on your external device.
3. Select "ITSBO-358" on your device to begin pairing. An audible beep will play, signifying your device is paired.
4. Begin playing music from your device.

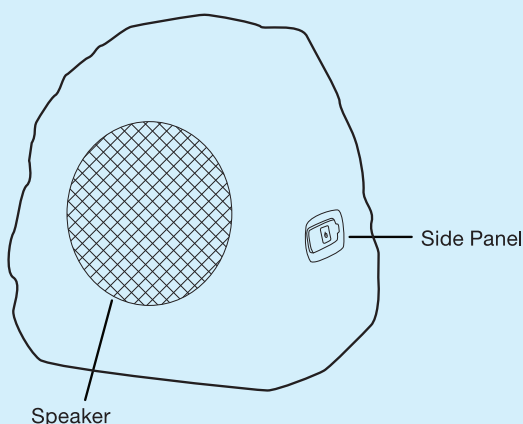
Please Note:

- To turn OFF the Speakers, press and hold the Power Button for 3 seconds and both speakers will automatically turn OFF.

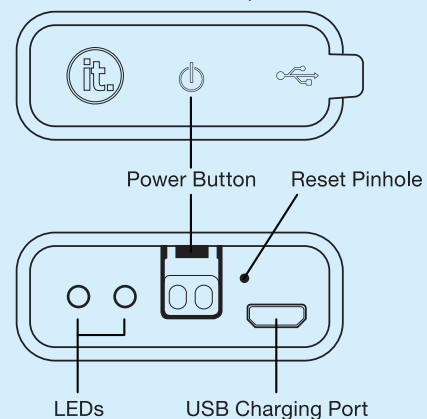
FOR ANY STATIC DISTURBANCE - If sound quality issues occur, such as distortion, or the overall sound is not clear, the speakers may be out of range. All Bluetooth devices **MUST BE** within a 33 foot range of each other. To resolve, move the Speakers and Bluetooth device closer so they are within the required range.



BUTTONS & CONTROLS:



Side Panel with Waterproof Cover



Please read the full Instruction Manual before use for further details and safety warnings.