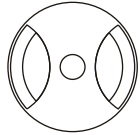


# TURNTABLE OPERATION STEPS

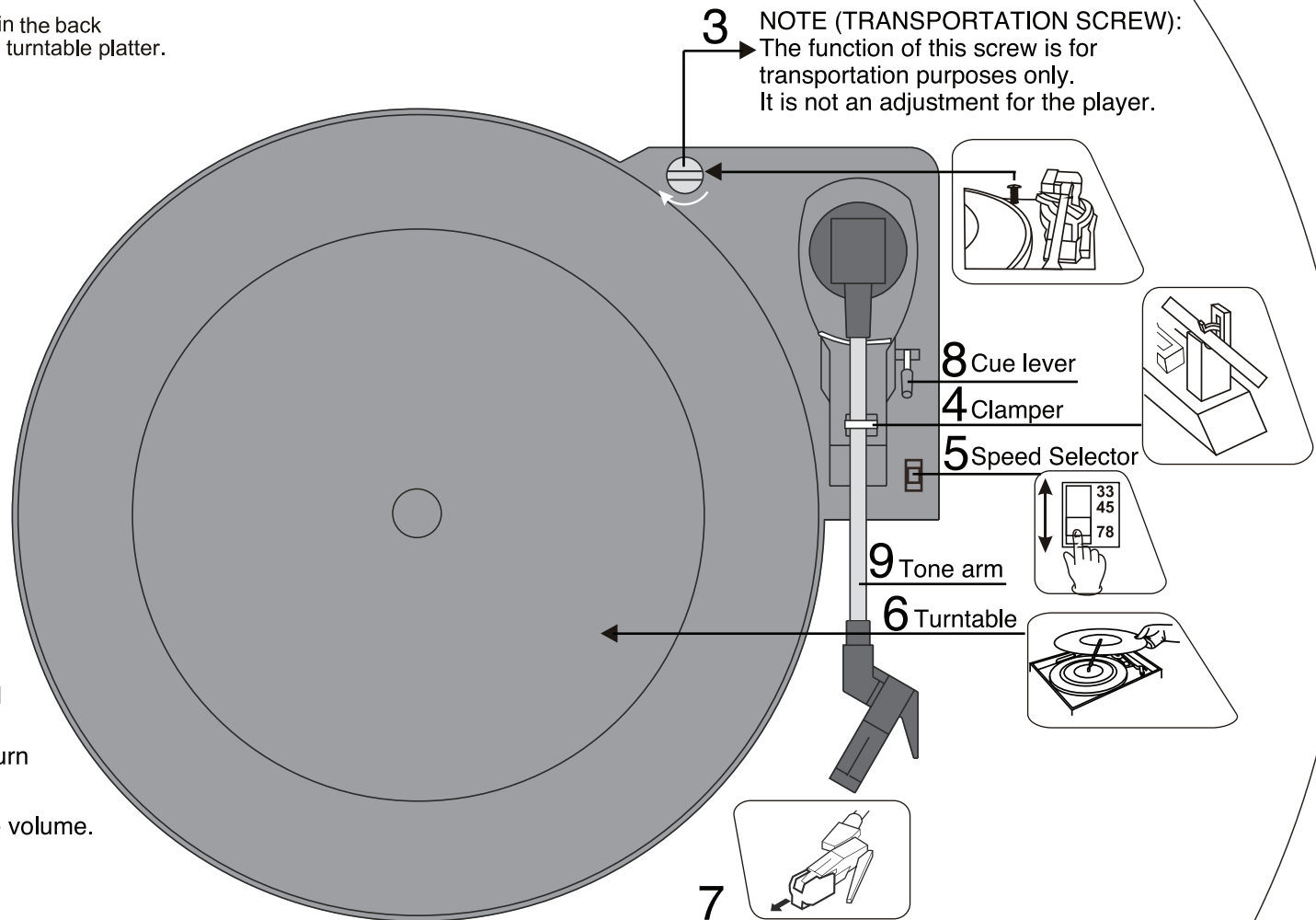
Before use, completely loosen the transportation screw by turning it clockwise with a coin or screwdriver. When transporting the unit, turn the screw counter clockwise to secure the turntable.



45 RPM adapter is located in the back left corner of the unit, behind the turntable platter.

## OPERATION STEPS

1. Plug in the unit.
2. Rotate the function knob to "PHONO".
3. Turn the transportation screw with a coin or screwdriver.
4. Remove the tone arm rest clamber.
5. Select the speed.
6. Put a record on the turntable. When playing a 45RPM record, use the included adapter.
7. Remove the white plastic needle guard and keep it in a safe place.
8. Raise the cue lever to lift the tone arm.
9. Move the tone arm gently to the desired position and lower the cue lever to start playing. When playing is complete, return the tone arm to the arm-rest.
10. Turn the volume knob to adjust the volume.



**3** NOTE (TRANSPORTATION SCREW):  
The function of this screw is for transportation purposes only. It is not an adjustment for the player.

**8** Cue lever

**4** Clamber

**5** Speed Selector

**9** Tone arm

**6** Turntable

**7**

Before use, detach the white plastic needle guard by pulling it straight off the front of the cartridge in the direction of the arrow.

The tone arm will automatically stop at the end of the record. Then you must return the tone arm to the arm-rest manually.