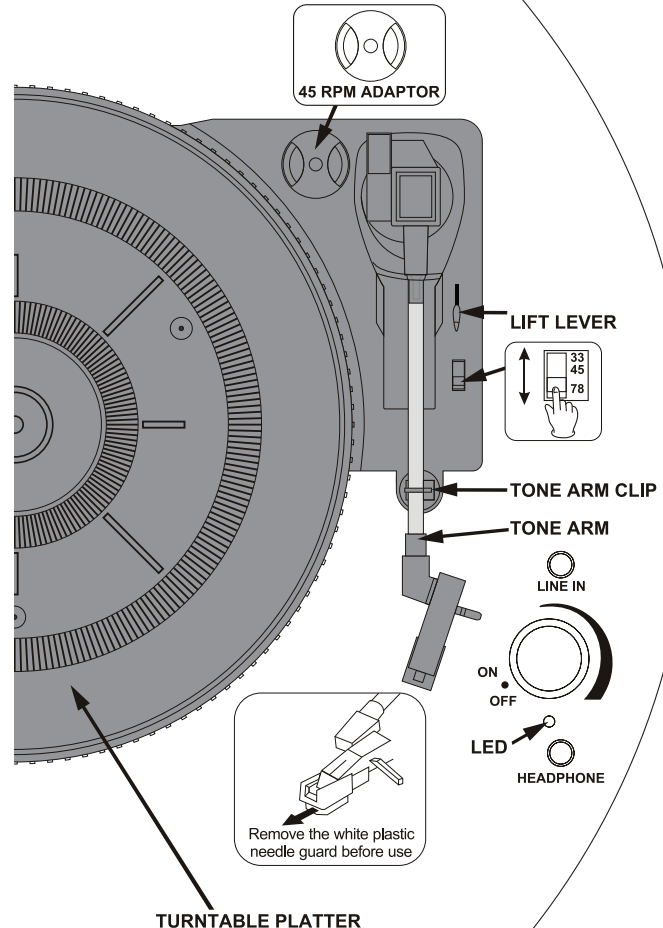


PLEASE FOLLOW INSTRUCTIONS BEFORE USING THIS TURNTABLE.

OPERATION STEPS

1. Turn Turntable on by rotating **ON/OFF** knob clockwise. The Red LED will illuminate indicating the Turntable is powered on.
2. **Turntable Function:**
 - Place record on the **Turntable Platter** & select speed (33 1/3, 45, 78) with the **Speed Selection Switch**.
NOTE: 45 RPM Adaptor is located in the holder near the tone arm.
 - Open the **Tone Arm Clip** to release the **Tone Arm**. Push the **Lift Lever** backwards. Move tone arm over record & it will begin to spin.
 - Push the lift lever forward to lower the arm onto the record to begin playing.
3. **LINE IN (AUX-IN) Function:**
 - Plug a 3.5mm cable (not included) to connect an external audio source (CD/MP3 player, computer, etc.) into the Turntable via the **LINE IN** jack.
 - Rotate Volume knob to adjust audio level.
NOTE: Turntable function will automatically be deactivated while using the LINE IN (AUX-IN) function.



PLEASE NOTE: The Tone Arm will automatically stop at the end of the record and you must return the tone arm to the arm-rest manually.