

Justin™

by
innovative technology.™



3 Port Auto Power Strip

With 12V Auto Outlet and 2 USB Ports

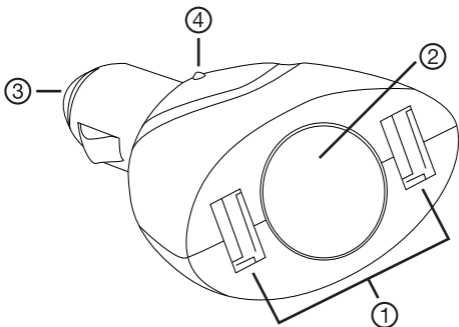
Model:

JA-310

USER MANUAL

BEFORE INSTALLING AND USING THE PRODUCT, PLEASE READ THE INSTRUCTIONS THOROUGHLY, AND RETAIN THEM FOR FUTURE REFERENCE.

PRODUCT OVERVIEW



1. USB Output Ports
2. 12V Auto Outlet
3. 12V Auto Adaptor
4. LED Power Indicator

Included: (1x) Auto Power Strip

SPECIFICATIONS

To ensure safe operation, check your device's compatibility with Power Strip specifications prior to use

Max Current: DC 5A

Input Voltage: DC 12-24V

Relative Humidity: 5%-70%

Working Temp: 0°-60°C
32°-140°F

USB Output Voltage: 5V±0.5V

Combined USB Output Current: 2.1A

Weight: 119g

Dimensions: 2.8 x 2.12 x .8in
71 x 54 x 22mm

USE

The 3 Port Auto Power Strip can charge up to 3 devices at the same time, via the 2 USB Output Ports and the 12V Auto Outlet.

Important: While this product can charge multiple devices at once, if the max output current is reached, some devices may pause charging while others are connected.

1. Using the Auto Strip:

- To use the Auto Power Strip, plug the 12V Auto Adaptor into your car's 12V socket. The LED Power Indicator will illuminate red. The lit LED indicates that the Auto Strip is ready for use.

2. Charging Your Smartphone, Etc:

- Using your device's supplied charging cable (Apple® Lightning™ cable, Micro USB cable, etc.), plug your smartphone or other USB powered device into the USB Output Port of the Auto Strip. The device will automatically begin charging.
- You can charge devices via the 12V Auto Outlet with the use of a 12V adaptor charging cable.
- When your device is charged 100%, remove it from the Power Strip, then unplug the Auto Power Strip from your car's 12V socket.

Important: Please check for voltage compatibility with your device prior to use.

PLEASE NOTE

- The Auto Strip has a built-in fuse to protect your adaptor and connected electronic devices against back-flow current and excessive electrical loads.
- If charging a device via the 12V socket, please make sure to unplug your device once it is fully charged.

MAINTENANCE

In order to keep your Power Strip operating at maximum potential, please follow these guidelines:

- Keep your Power Strip dry and away from moist and corrosive materials. DO NOT get wet. In addition, never expose to high heat environments. Avoid extreme temperatures of hot or cold as it will decrease the overall performance.

CAUTIONS

Please read this section carefully before using.

- Do not use product beside or in close proximity to a heat source such as a ventilation heat vent, convection heater, burner, etc.
- Do not expose device to moisture or submerge it in liquid. Do not leave device inside an excessively hot or cold environment. Store device in a cool and dry environment at all times.
- Avoid dropping or applying excessive shock and force to device. Do not use in unprotected outdoor environments or in exposed sunlight for a prolonged period of time.
- Do not use device in a confined space. Restricted or insufficient airflow will put device at risk of overheating.
- Avoid touching metal prongs when plugging and unplugging device from power source.
- Do not use harsh chemicals to clean device. Use a damp cloth with warm water to wipe off any dirt. Only clean the device when it is unplugged from any power source.
- Ensure charge port is clear of any foreign objects before using. Do not force incompatible connectors into any port.

- Do not use damaged cables and wires on device.
- Do not attempt to disassemble the device. Any attempts to do so will void all warranties on this product.

FCC STATEMENT

Warning: Changes or modifications to this unit not expressly approved by the party responsible for compliance could void the user authority to operate the equipment.

NOTE: This equipment has been tested and found to comply with the limits for Class B digital device, pursuant to part 15 of the FCC Rules. These limits are designed to provide reasonable protection against harmful interference in a residential installation. This equipment generates, uses and can radiate radio frequency energy and, if not installed and used in accordance with the instructions, may cause harmful interference to radio or television reception, which can be determined by turning the equipment off and on. The user is encouraged to try to correct the interference by one or more of the following measures:

- Reorient or relocate the receiving antenna.
- Increase the separation between the equipment and the receiver.
- Connect the equipment into an outlet on a circuit different from that to which the receiver is connected.
- Consult the dealer or an experienced radio/TV technician for help.

THIS DEVICE COMPLIES WITH PART 15 OF THE FCC RULES. OPERATION IS SUBJECT TO THE FOLLOWING TWO CONDITIONS: (1) THIS DEVICE MAY NOT CAUSE

HARMFUL INTERFERENCE, AND (2) THIS DEVICE MUST ACCEPT ANY INTERFERENCE RECEIVED, INCLUDING INTERFERENCE THAT MAY CAUSE UNDESIRE OPERATION.

CALIFORNIA PROP 65 WARNING

WARNING: This product contains chemicals known to the State of California to cause birth defects or other reproductive harm. For more information on these regulations and a list of chemicals, log on to the following website address: <http://www.oehha.ca.gov/prop65.html>

INNOVATIVE TECHNOLOGY ELECTRONICS CORP. LIMITED WARRANTY: 90 DAYS LABOR, ONE YEAR PARTS

Innovative Technology Electronics Corp. (IT) warrants the product to be free from "Defects" in materials under normal use for a period of "One Year" from the date of the original purchase. The Warranty is "Not" transferable. IT agrees, within the initial "90 Day" period, to repair or replace the product if it is determined to be defective at "No Charge". It is further agreed that IT will cover the cost to repair or replace damaged "Parts" only for a total period of "One Year" from the date of the original purchase. The warranty does not cover cosmetic damage, antennas, AC cords, cabinets, headbands, ear-pads, or damage due to line power surges, connection to improper voltage supply or settings, misuse, mishandling, accident, acts of God or attempted repair by an unauthorized service agent.

To obtain service, the purchaser MUST present an original sales receipt / proof of purchase. Please contact us at www.ithomeproducts.com to request an RMA (Return Material Authorization) number to return products for service or replacement. Returns without an RMA number on the package will be refused and returned to sender. Upon receipt of the returning item and our full inspection (IT) may issue a replacement to customer for the same item or of one that has equivalent value and features. To return an item, supply full name, return address, phone number, item purchased, receipt of purchase and reason for return to obtain RMA number. All returns must be in the original packaging or reasonable substitute to prevent damage. Customer "Must" include full name, shipping address and telephone number inside of package. No return will be shipped back to a PO Box or APO address.

Please include your check or money order in the amount of:

- USD\$5.00 for items \$10.00 to \$39.99 (Price Paid Per Unit)
- USD\$10.00 for items \$40.00 to \$99.99. (Price Paid Per Unit)
- USD\$16.00, for items \$100.00 and up. (Price Paid Per Unit)
- Shipping fees are non-refundable

To be payable to Innovative Technology Electronics Corp.(for handling and return shipping charges) (IT) will not be responsible for delays or unprocessed claims resulting from a purchaser's failure to provide any / all of the necessary information. Send all inquiries or RMA request via our website:
www.ithomeproducts.com/support.

Innovative Technology Electronics Corp.

1 Channel Drive

Port Washington, NY 11050

Toll free: 1-877-483-2497

Website for support: www.ithomeproducts.com/support

There are no express warranties except as listed above.

REPAIR OR REPLACEMENT AS PROVIDED UNDER THIS WARRANTY IS THE EXCLUSIVE REMEDY OF THE CUSTOMER, (IT) SHALL NOT BE LIABLE FOR ANY INCIDENTAL OR CONSEQUENTIAL DAMAGES FOR BREACH OF ANY EXPRESS OR IMPLIED WARRANTY ON THIS PRODUCT EXCEPT TO THE EXTENT PROHIBITED BY APPLICABLE LAW. ANY IMPLIED WARRANTY OF MERCHANTABILITY OR FITNESS FOR A PARTICULAR PURPOSE ON THIS PRODUCT IS LIMITED IN DURATION TO THE DURATION OF THIS WARRANTY.

Some states do not allow the exclusion or limitation of incidental or consequential damages, or limitations on how long an implied warranty lasts, so the above exclusions or limitations may not apply to you. This warranty gives you specific legal rights and you may also have other rights, which vary from state to state.

NOTE: As a result of continual improvements, the design and specifications of this product are subject to change without notice.

Apple and iPhone are trademarks of Apple Inc., registered in the U.S. and other countries. Lightning is a trademark of Apple Inc. Lightning cord NOT included. Smartphones and Tablets are NOT included.

This Class B digital apparatus complies with Canadian ICES-003.

Made in China.