

Justin™

by
innovative technology.™



5,200mAh Water-Resistant LED Flashlight with Smartphone Charger

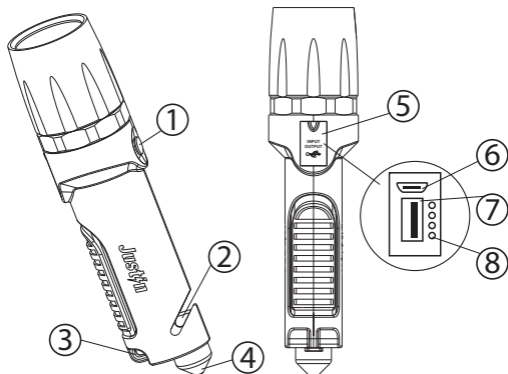
Model:
JF-500-5200

USER MANUAL



BEFORE INSTALLING AND USING THE PRODUCT, PLEASE READ THE INSTRUCTIONS THOROUGHLY, AND RETAIN THEM FOR FUTURE REFERENCE.

PRODUCT OVERVIEW



- | | |
|--------------------------------------|-------------------|
| 1. Power Button | 5. Dust Cover |
| 2. Seatbelt Cutter | 6. Input |
| 3. Lanyard Loop | 7. Output |
| 4. Glass Breaker with Protective Cap | 8. LED Indicators |

Included: (1x) Flashlight Power Bank, (1x) USB Charging Cable and (1x) Nylon Lanyard

SPECIFICATIONS

To ensure safe operation, check your device's compatibility with Flashlight specifications prior to use.

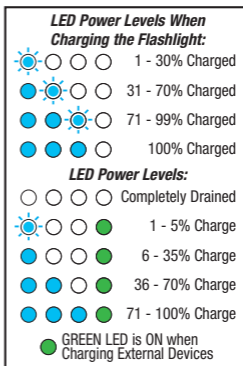
Capacity: 5,200mAh (19.24Wh)	Battery Cell: Lithium-Ion
Input: 5VDC / 900mA	Charging Time: 6.5 Hours
Output: 5VDC / 1.0A (max)	Cycle Life: ≥300 times
Weight: 263g / .58lbs	Dimensions: 2 x 8.11in 50.95 x 206mm
Temperature: 0°C – 45°C 32°F – 113°F	

CHECKING POWER LEVELS

To show the battery status, press the Power Button and the LED Indicator Lights will indicate the Flashlight's power level according to the diagram.

When charging the Flashlight, the LED Indicators will FLASH according to the current power level (i.e., at 50% charged, one LED will be lit and the second will be flashing). Once the Flashlight is fully charged, the LEDs will STOP FLASHING.

To view the power level of the Flashlight while an external device is connected, press the Power Button. The LEDs will light up for about 2 seconds while charging your device.



USE

Before first use, it is recommended to charge the Flashlight via the Micro USB Input Port with the supplied Micro USB Cable. The Flashlight will take approximately 6.5 hours to charge from 0-100%.

1. Charging the Flashlight:

Plug the supplied Micro USB Cable into the Flashlight's Micro USB Input Port. Next, insert the USB end of the charging cable into a computer or AC power source with a USB Output Port of 5V. While charging, the 3 Blue LED Indicator Lights will FLASH to show the power level. When the Flashlight is fully charged, all 3 LEDs will stop flashing and stay lit. See "Checking Power Levels".

2. Charging Your Smartphone, Etc:

Using your device's supplied charging cable (Apple® Lightning™ cable, Micro USB cable, etc.), plug your smartphone, tablet or other USB powered device into the USB Output Port of the Flashlight. **Press and Hold the Power Button on the Flashlight for Two Seconds to begin charging your device.** The Green LED will turn on and remain on to indicate your device is charging. Charging will continue until your device is fully charged or the Flashlight's internal battery has drained.

Important: Please check voltage compatibility with your device prior to use.

3. Using the Flashlight:

Disconnect all cables and devices from the Flashlight before use. The LED Torch is operated by pressing the Power Button. The Flashlight operates in four light modes: **Normal, Extra Bright, Flashing, SOS & OFF.** Push the Power Button to cycle through each light mode. To stop charging or turn OFF the Flashlight at any time, push and hold the Power Button for Two seconds. *Please Note: The Green LED will remain lit briefly.*

LED FLASHLIGHT / BATTERY LIFE

Light Mode:	Battery Life:
Normal & SOS	26 Hours
Extra Bright	8 Hours
Flashing	20 Hours

Please note: battery life is approximate and results may vary slightly.

4. In Case of Emergency:

Seatbelt Cutter: Place and hold outer edge of seatbelt strap inside blade chamber. Then hold the flashlight firmly, pull blade quickly across strap to cut completely.

Important: Intended only to cut seat belt webbing if a seatbelt does not unlatch during a vehicular accident.

Glass Breaker: Remove the protective cap from this flashlight and use it to break the glass in your vehicle. Then push away any remaining broken glass to escape.

Important: Intended only to break tempered automobile door window glass during a vehicular accident. Unit will not break windshields or other windows made of laminated glass. Use in an emergency only.

PLEASE NOTE

- The Flashlight comes pre-packaged with a partial charge, NOT a full charge. We recommend fully charging your Flashlight before first use for best performance.
- The Flashlight's LED Indicator represents the estimated power levels. Actual charge may vary. When power level is extremely low, Blue LED will flash.
- If your device (smartphone, tablet, etc.) is not charging, this may be a sign that the battery level of the Flashlight is very low and needs to be recharged.
- It is normal for the Flashlight to become slightly warm during use.
- The Flashlight has an Over-Charge Protection circuit to help prevent damage to the internal battery when charging.
- The Flashlight cannot charge an external device while charging the internal battery via the Micro USB Input Port.
- The Flashlight CANNOT charge any external devices while using the LED Torch.
- Your Power Bank includes a special built-in Micro USB to USB cable. Some devices, namely BlackBerry® devices, REQUIRE this cable for charging. If you do not use this supplied cable, your device might not charge.
- In some instances, some older Samsung® Tablets require you to turn OFF the tablet prior to charging.
- The Flashlight has a water-resistant level of protection, which means the product will still work in water splashing conditions. DO NOT fully submerge the Flashlight into any liquid. If you feel the product was significantly wet, make sure to thoroughly dry the Flashlight before use.

MAINTENANCE

In order to keep your Flashlight operating at maximum potential, please follow these guidelines:

1. Recharge the Flashlight every 2 months when not in use. Charge to at least 40%, as this will extend the battery life.
2. Never expose to high heat environments. Avoid extreme temperatures of hot or cold as it will decrease the overall battery performance.

CAUTIONS

Please read this section carefully before using.

- Only use this product with confirmed UL power sources that follow device specifications. Device is intended to be used with iPhone®, mobile phones and other digital products. Only use specified charging methods or reputable branded chargers that are compatible with specified device specifications.
- Do not use product beside or in close proximity to a heat source such as a ventilation heat vent, convection heater, burner, etc.
- Do not submerge it in liquid.
- Do not leave device inside an excessively hot or cold environment. Store device in a cool and dry environment at all times.
- Avoid dropping or applying excessive shock and force to device. Do not use in unprotected outdoor environments or in exposed sunlight for a prolonged period of time.
- Avoid carrying with loose small metallic objects. Unintended metal scraps may enter device and cause a short. Damage to exterior finish may also occur.
- Do not use device in a confined space. Restricted or insufficient airflow will put device at risk of overheating.
- Avoid touching metal prongs when plugging and unplugging device from power source.
- Do not use harsh chemicals to clean device. Use a damp cloth with warm water to wipe off any dirt. Only clean the device when it is unplugged from any power source.

- Ensure charge port is clear of any foreign objects before using. Do not force incompatible connectors into any port.
- Do not use damaged cables and wires with device.
- Never leave charger unattended while charging.
- Do not attempt to disassemble the device. Any attempts to do so will void all warranties on this product. Do not attempt to remove or salvage batteries for other purposes.
- Handle carefully - jolts, impacts or a fall (even from a low height) can damage the product.
- Never look into light beam directly or with optical instruments. Point light beam so that it is directed below eye level.
- Do not point the light beam at mirrors or other reflective surfaces.
- Never point the light beam directly at a person or an animal. The light beam can cause damage to eyes or skin.
- Please also observe the safety and operating instructions of any other devices which are connected to the product.
- When traveling, keep the flashlight in a case to avoid the flashlight accidentally being turned on, which may drain battery, or cause a fire.
- The device is not a toy. Keep it out of the reach of children and pets.

SAFETY INSTRUCTIONS

Read all instructions and warnings prior to using this product. This device contains a Lithium Ion (Li-ion) Battery. Improper use, storage and disposal may cause leaks, expansions and explosions that could lead to fires, health concerns, bodily injury and property damage.

- Upon the event where the device may be broken, shattered, or in any way physically compromised DO NOT USE.
- Do not dispose device into standard garbage disposal sites. Dispose of device at available Battery Recycling Sites after fully discharging battery. Not doing so may violate local disposal laws and regulations.
- NOTE: Opening of product and/or removal of battery will render product inoperative and voids manufacturer warranties, dispose of remaining product components in

accordance with local laws.

- If unusual expansion is detected, disuse device immediately. In case of fire, use lithium approved “Class D Type” Fire Extinguishers on device.
- Do not expose or dispose of device into fire.
- In the unfortunate case of a leak and electrolyte comes in contact with skin, wash area with water and soap. If electrolyte makes contact with eyes, flush with generous amounts of water for 15 minutes and seek medical attention immediately. Avoid inhaling fumes if applicable. Do not attempt to reuse damaged device.
- Do not charge device with unspecified power source. Only use specified method of charge and reputable brand OEM chargers compatible with device specifications.

FCC STATEMENT

Warning: Changes or modifications to this unit not expressly approved by the party responsible for compliance could void the user's authority to operate the equipment.

NOTE: This equipment has been tested and found to comply with the limits for a Class B digital device, pursuant to Part 15 of the FCC Rules. These limits are designed to provide reasonable protection against harmful interference in a residential installation. This equipment generates, uses, and can radiate radio frequency energy and, if not installed and used in accordance with the instructions, may cause harmful interference to radio communications. However, there is no guarantee that interference will not occur in a particular installation. If this equipment does cause harmful interference to radio or television reception, which can be determined by turning the equipment off and on, the user is encouraged to try to correct the interference by one or more of the following measures:

- Reorient or relocate the receiving antenna.
- Increase the separation between the equipment and receiver.
- Connect the equipment into an outlet on a circuit different from that to which the receiver is connected.

- Consult the dealer or an experienced radio/TV technician for help.

THIS DEVICE COMPLIES WITH PART 15 OF THE FCC RULES. OPERATION IS SUBJECT TO THE FOLLOWING TWO CONDITIONS: (1) THIS DEVICE MAY NOT CAUSE HARMFUL INTERFERENCE, AND (2) THIS DEVICE MUST ACCEPT ANY INTERFERENCE RECEIVED, INCLUDING INTERFERENCE THAT MAY CAUSE UNDESIRE OPERATION.

CALIFORNIA PROP 65 WARNING

WARNING: This product contains chemicals known to the State of California to cause birth defects or other reproductive harm. For more information on these regulations and a list of chemicals, log on the following website address: <http://www.oehha.ca.gov/prop65.html>

INNOVATIVE TECHNOLOGY ELECTRONICS CORP. LIMITED WARRANTY: 90 DAYS LABOR, ONE YEAR PARTS

Innovative Technology Electronics Corp. (IT) warrants the product to be free from "Defects" in materials under normal use for a period of "One Year" from the date of the original purchase. The Warranty is "Not" transferable. IT agrees, within the initial "90 Day" period, to repair or replace the product if it is determined to be defective at "No Charge". It is further agreed that IT will cover the cost to repair or replace damaged "Parts" only for a total period of "One Year" from the date of the original purchase. The warranty does not cover cosmetic damage, antennas, AC cords, cabinets, headbands, ear-pads, or damage due to line power surges, connection to improper voltage supply or settings, misuse, mishandling, accident, acts of God or attempted repair by an unauthorized service agent.

To obtain service, the purchaser MUST present an original sales receipt / proof of purchase. Please contact us at www.ithomeproducts.com to request an RMA (Return Material Authorization) number to return products for service or replacement. Returns without an RMA number on the package will be refused and returned to sender.

Upon receipt of the returning item and our full inspection (IT) may issue a replacement to customer for the same item or of one that has equivalent value and features. To return an item, supply full name, return address, phone number, item purchased, receipt of purchase and reason for return to obtain RMA number.

All returns must be in the original packaging or reasonable substitute to prevent damage. Customer "Must" include full name, shipping address and telephone number inside of package. No return will be shipped back to a PO Box or

APO address.

Please include your check or money order in the amount of:

- USD\$5.00 for items \$10.00 to \$39.99 (Price Paid Per Unit)
- USD\$10.00 for items \$40.00 to \$99.99. (Price Paid Per Unit)
- USD\$16.00, for items \$100.00 and up. (Price Paid Per Unit)
- Shipping fees are non-refundable

To be payable to Innovative Technology Electronics Corp.(for handling and return shipping charges) (IT) will not be responsible for delays or unprocessed claims resulting from a purchaser's failure to provide any / all of the necessary information. Send all inquiries or RMA request via our website:

www.ithomeproducts.com/support.

Innovative Technology Electronics Corp.

1 Channel Drive, Port Washington, NY 11050

Toll free: 1-877-483-2497

Website for support: www.ithomeproducts.com/support

There are no express warranties except as listed above.

REPAIR OR REPLACEMENT AS PROVIDED UNDER THIS WARRANTY IS THE EXCLUSIVE REMEDY OF THE CUSTOMER, (IT) SHALL NOT BE LIABLE FOR ANY INCIDENTAL OR CONSEQUENTIAL DAMAGES FOR BREACH OF ANY EXPRESS OR IMPLIED WARRANTY ON THIS PRODUCT EXCEPT TO THE EXTENT PROHIBITED BY APPLICABLE LAW. ANY IMPLIED WARRANTY OF MERCHANTABILITY OR FITNESS FOR A PARTICULAR PURPOSE ON THIS PRODUCT IS LIMITED IN DURATION TO THE DURATION OF THIS WARRANTY.

Some states do not allow the exclusion or limitation of incidental or consequential damages, or limitations on how long an implied warranty lasts, so the above exclusions or limitations may not apply to you. This warranty gives you specific legal rights and you may also have other rights, which vary from state to state.

NOTE: As a result of continual improvements, the design and specifications of this product are subject to change without notice.

Apple and iPhone are trademarks of Apple Inc., registered in the U.S. and other countries. Lightning is a trademark of Apple Inc. Smartphones and Tablets are NOT included. Other trademarks and trade names are those of their respective owners.

CAN ICES-3 (B) / NMB-3 (B)

Made in China.