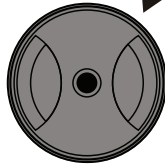


IMPORTANT, PLEASE READ!

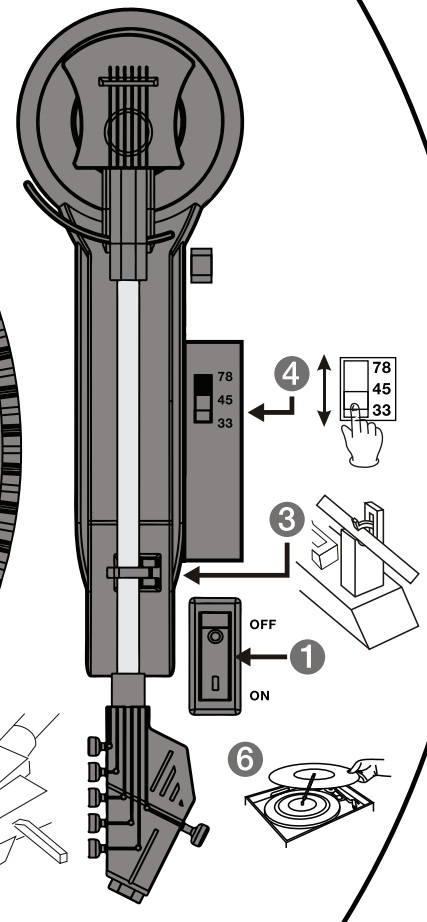
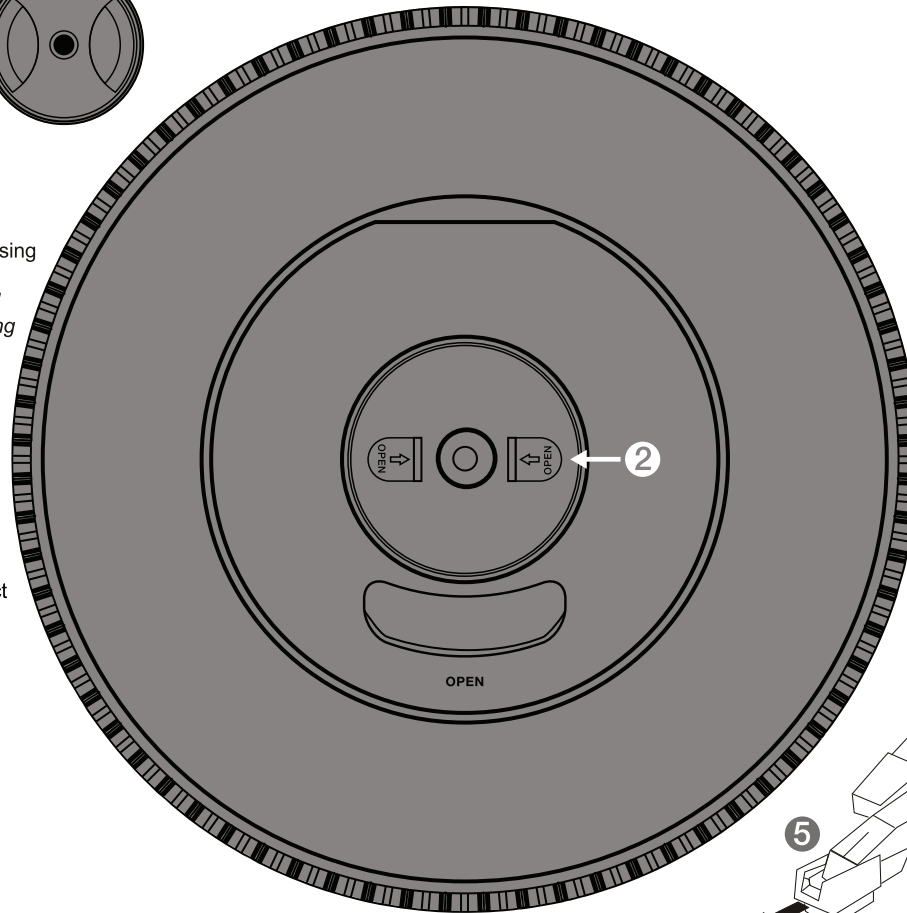
TURNTABLE OPERATION STEPS

45 RPM adaptor is located in the upper left corner of the unit, above the turntable platter.



TURNTABLE OPERATION STEPS

1. Plug in the unit & turn the unit ON.
2. Remove the Record Fixator by pressing the plastic tabs together and pulling the fixator towards you. *The Record Fixator keeps the record from moving or falling off while playing.*
3. Remove the tone arm-rest holder.
4. Select the speed.
5. Remove the white plastic needle guard and keep it in a safe place for future use.
6. Place record on the turntable and reattach Record Fixator. Then select "PHONO" on the faceplate.
7. Move the tone arm gently to the desired position over the record to start playing. At the end of record, return tone arm to the arm-rest manually.
8. At the end of each use, replace white plastic needle guard to protect the needle.



Remove the white plastic needle guard before use

The tone arm will automatically stop at the end of the record. Then you must return the tone arm to the arm-rest manually.

Some records will continue to spin because this is a factory preset to accommodate most record albums.

It does not mean that the record player is malfunctioning or defective.