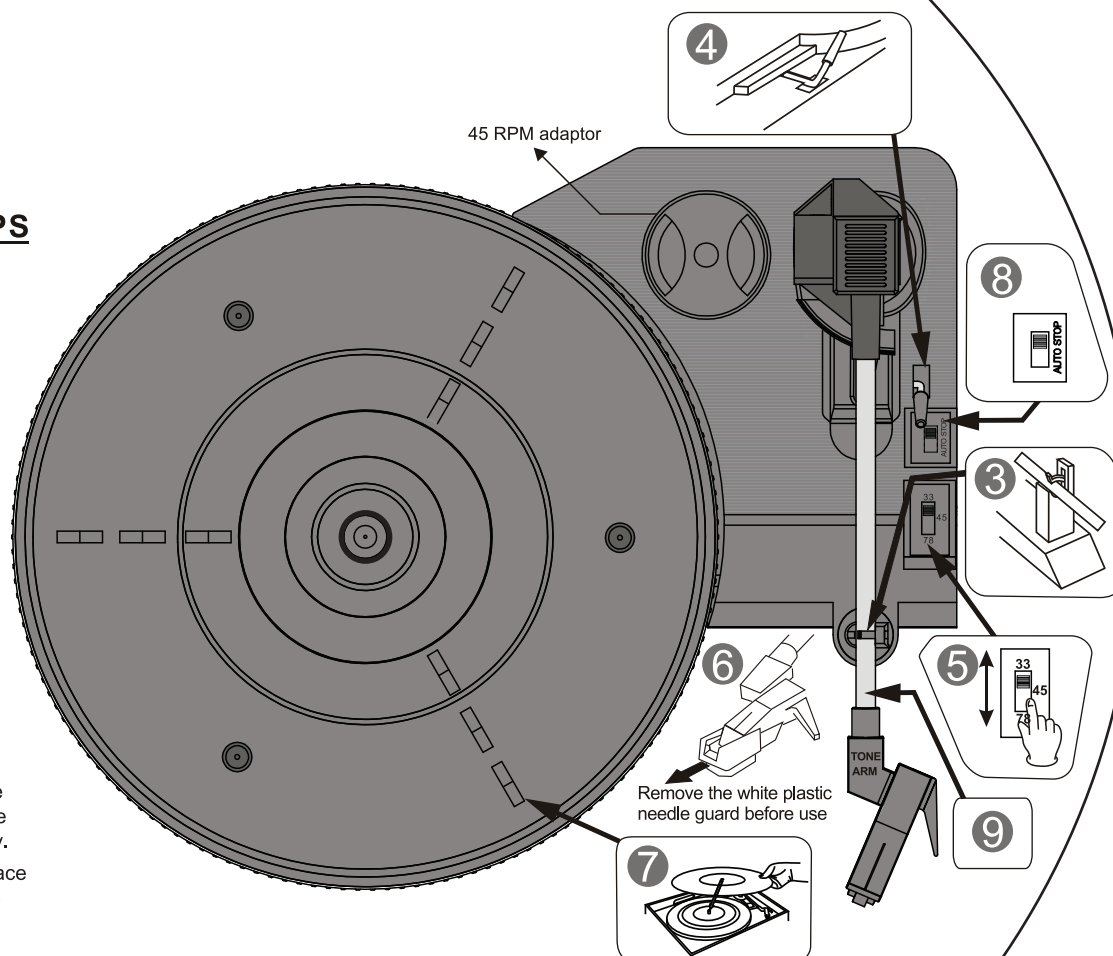


IMPORTANT, PLEASE READ! TURNTABLE OPERATION STEPS

TURNTABLE OPERATION STEPS

1. Plug in the unit.
2. Turn Unit On by rotating the Volume Knob clockwise.
3. Remove the tone-arm rest holder.
4. Uplift the lift handle.
5. Select the speed.
6. Remove the white plastic needle guard and keep it in a safe place for future use.
7. Place record on the turntable and select "PHONO" mode using the Function button on the front of the unit.
8. Slide the Auto Turn/ Auto Stop Switch to select auto turn or auto stop.
9. Move the tone arm gently to the desired position over the record to start playing. At the end of the record, return tone arm to the arm-rest manually.
10. At the end of each use, replace white plastic needle guard to protect the needle.



The tone arm will automatically stop at the end of the record. Then you must return the tone arm to the arm-rest manually.

Some records will continue to spin because this is a factory preset to accommodate most record albums. It does not mean that the record player is malfunctioning or defective.