

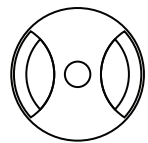
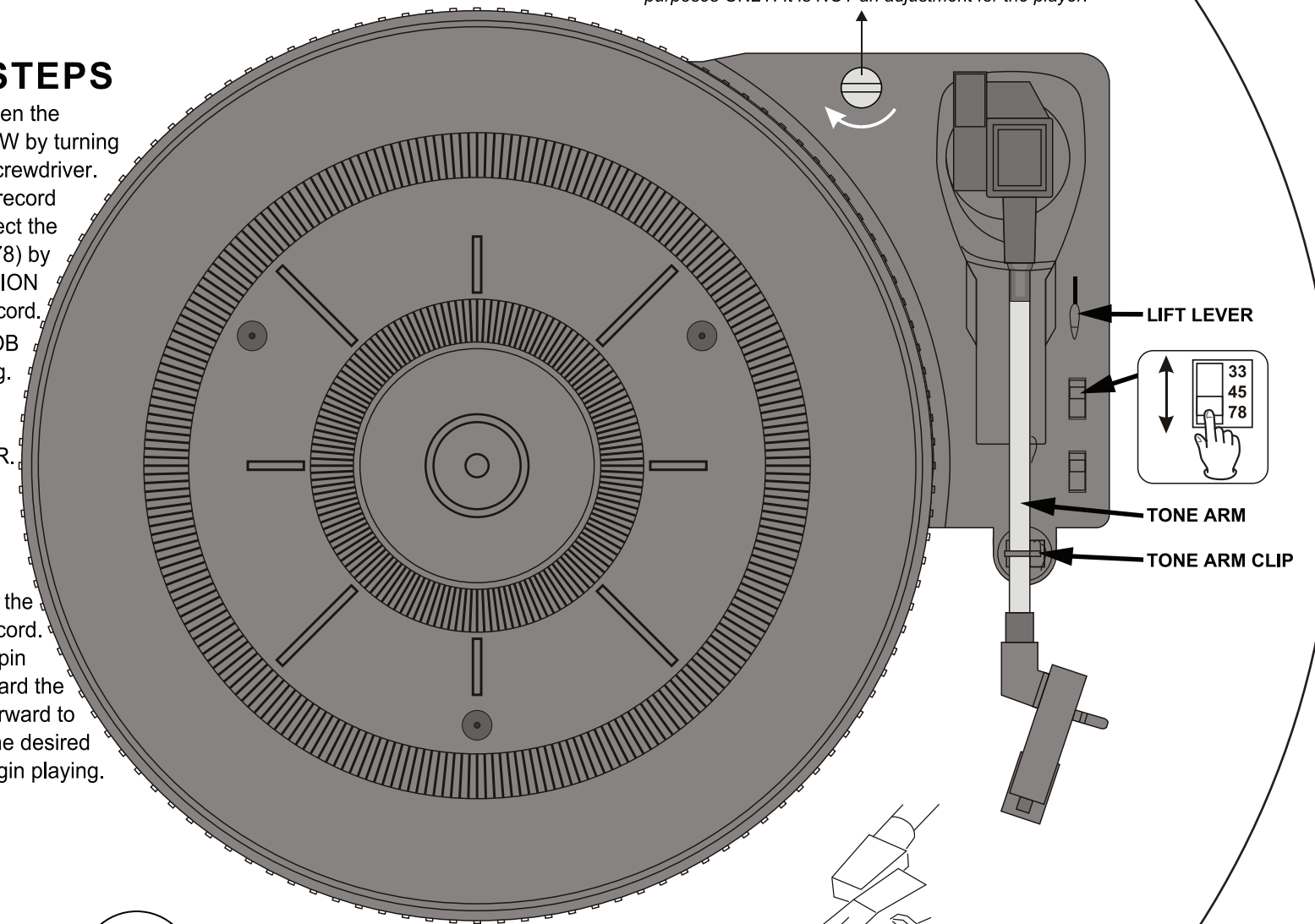
VERY IMPORTANT!! PLEASE FOLLOW INSTRUCTIONS BEFORE USING THIS TURNTABLE.

OPERATION STEPS

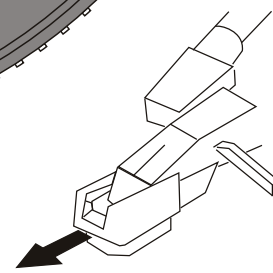
1. Before use, completely loosen the TRANSPORTATION SCREW by turning it clockwise with a coin or screwdriver. Turn the unit ON & place a record on the turntable platter. Select the desired speed (33 1/3, 45, 78) by sliding the SPEED SELECTION SWITCH according to the record.
2. Rotate the FUNCTION KNOB to select the PHONO setting.
NOTE: When playing a 45 RPM record, use the included 45 RPM ADAPTOR.
3. Open the TONE ARM CLIP to release the TONE ARM. Push the LIFT LEVER backwards to raise the arm. Gently move the tone arm to the desired position over the record. The turntable will begin to spin when the arm is moved toward the record. Push the lift lever forward to lower the arm slowly onto the desired position on the record to begin playing.

Please Note: Safety Screw

The function of this screw is for transportation purposes ONLY. It is NOT an adjustment for the player.



45 RPM adaptor is included



Remove the white plastic
needle guard before use