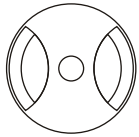


IMPORTANT, PLEASE READ!

TURNTABLE OPERATION STEPS



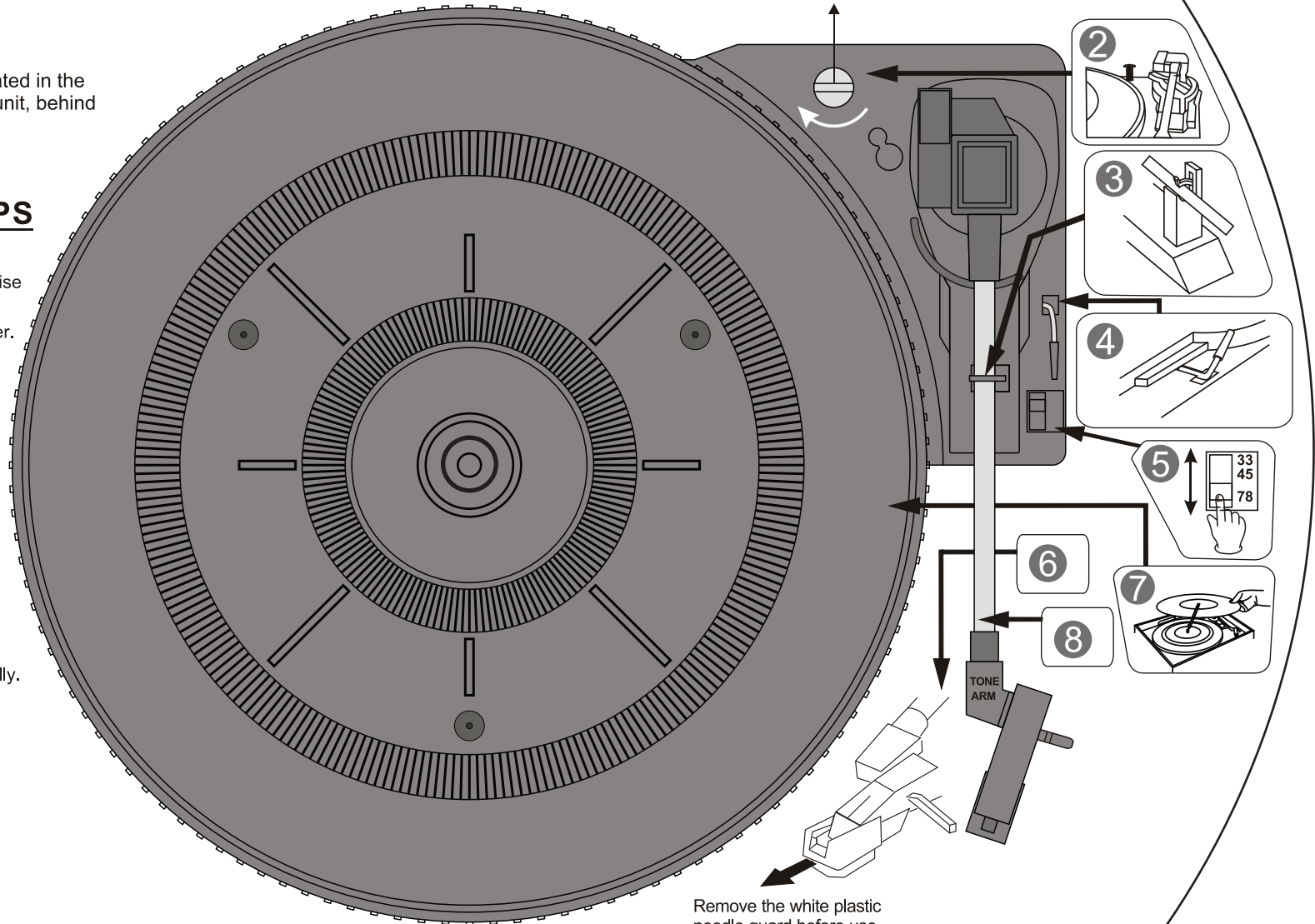
45 RPM adaptor is located in the back left corner of the unit, behind the turntable platter.

TURNTABLE OPERATION STEPS

1. Plug in the unit.
2. Rotate the Safety Screw clockwise with a coin or screwdriver.
3. Remove the tone arm-rest holder.
4. Uplift the lift handle.
5. Select the speed.
6. Remove the white plastic needle guard and keep it in a safe place for future use.
7. Place record on the turntable and select "PHONO" on the faceplate.
8. Move the tone arm gently to the desired position over the record to start playing. Lower the lift handle.
9. At the end of the record, return tone arm to the arm-rest manually.
10. At the end of each use, replace white plastic needle guard to protect the needle.

Please Note: Safety Screw

The function of this screw is for transportation purposes ONLY. It is NOT an adjustment for the player.



The tone arm will automatically stop at the end of the record. Then you must return the tone arm to the arm-rest manually.

Some records will continue to spin because this is a factory preset to accommodate most record albums. It does not mean that the record player is malfunctioning or defective.